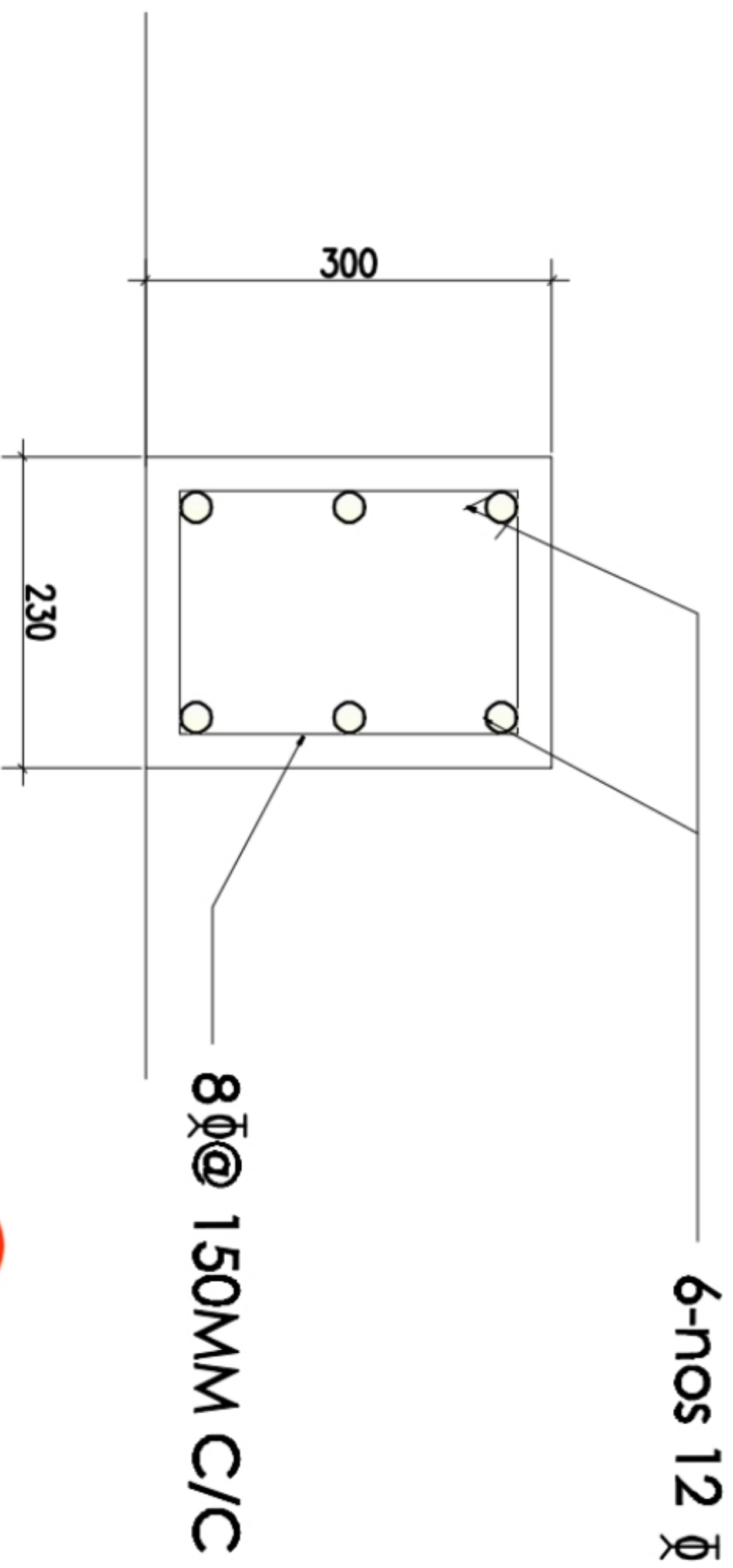
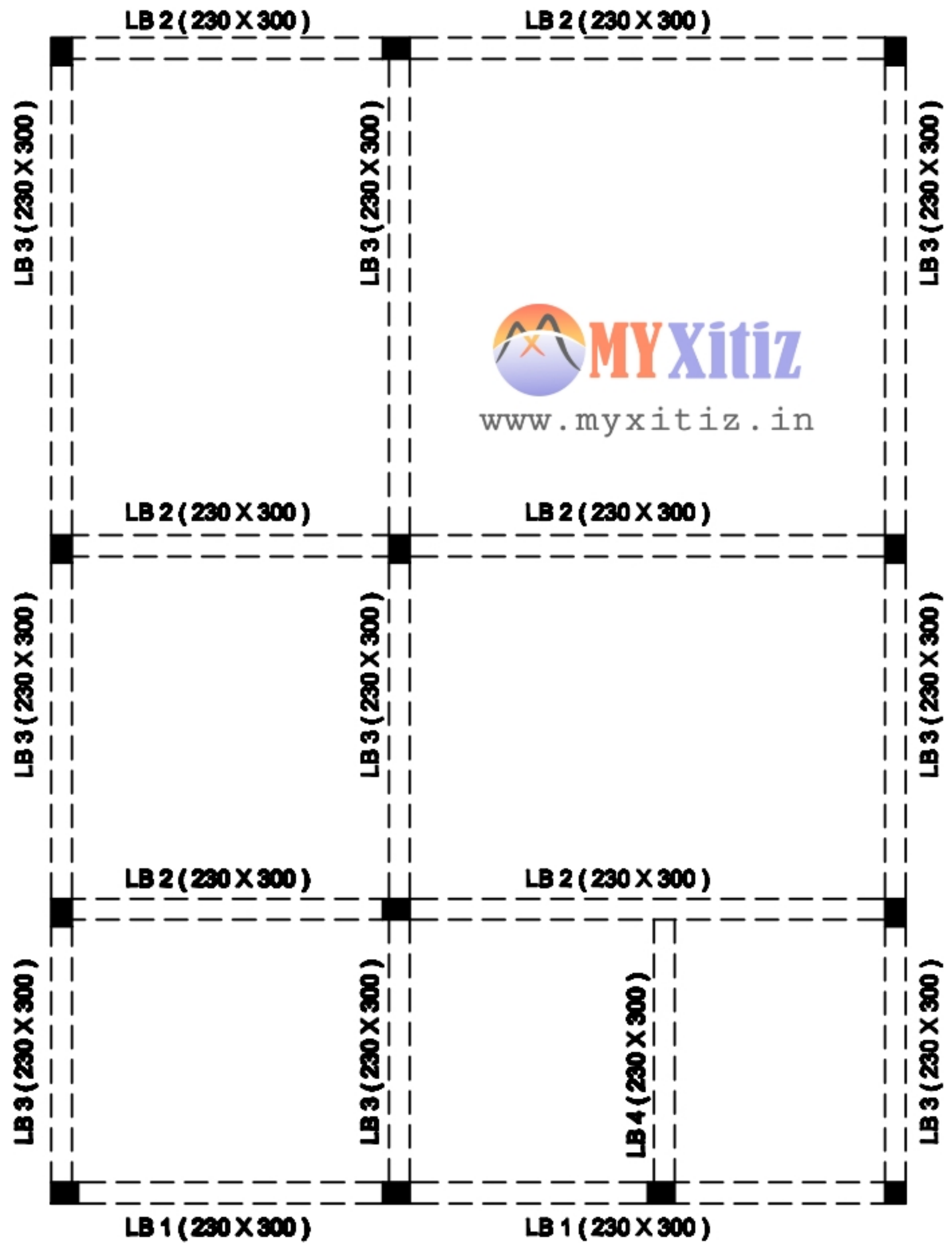


PLINTH BEAM PLAN

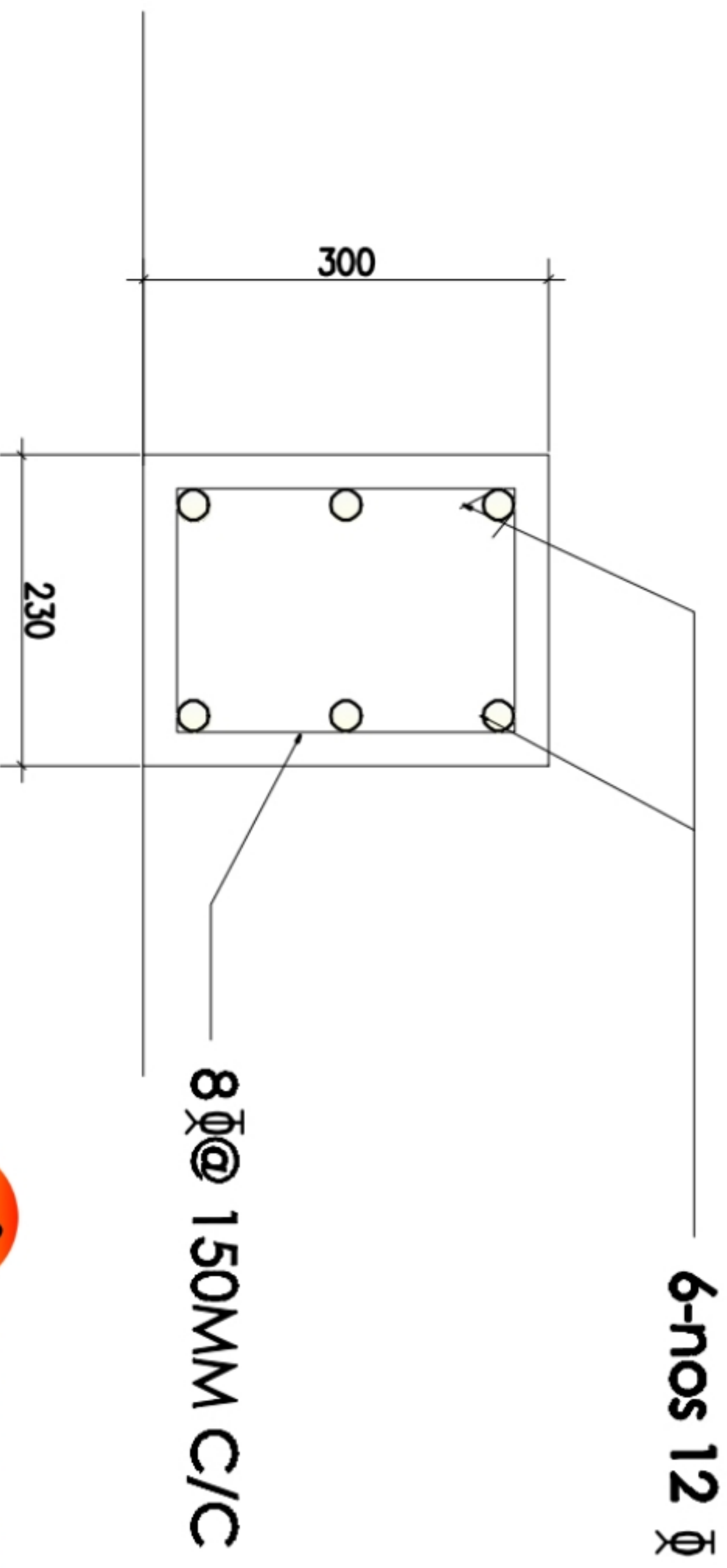


TYP. SECTION DETAIL OF PLINTH BEAM







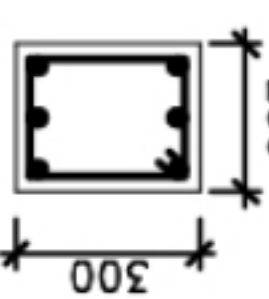
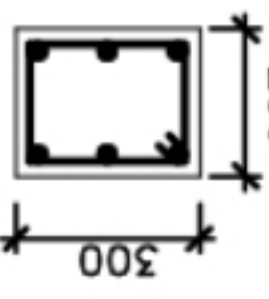
LINTEL BEAM PLAN



TYP. SECTION DETAIL OF LINTEL BEAM



SCHEDULES OF BEAM DETAILS

LINTEL BEAM		PLINTH BEAM	
RINGS DETAIL	BEAM DETAIL	RINGS DETAIL	BEAM DETAIL
$8\Phi @ 150\text{mmC/C}$ 	230X300 6-12 Φ	$8\Phi @ 150\text{mmC/C}$ 	230X300 6-12 Φ
			
GRADE OF CONCRETE			
1:1.5:3			