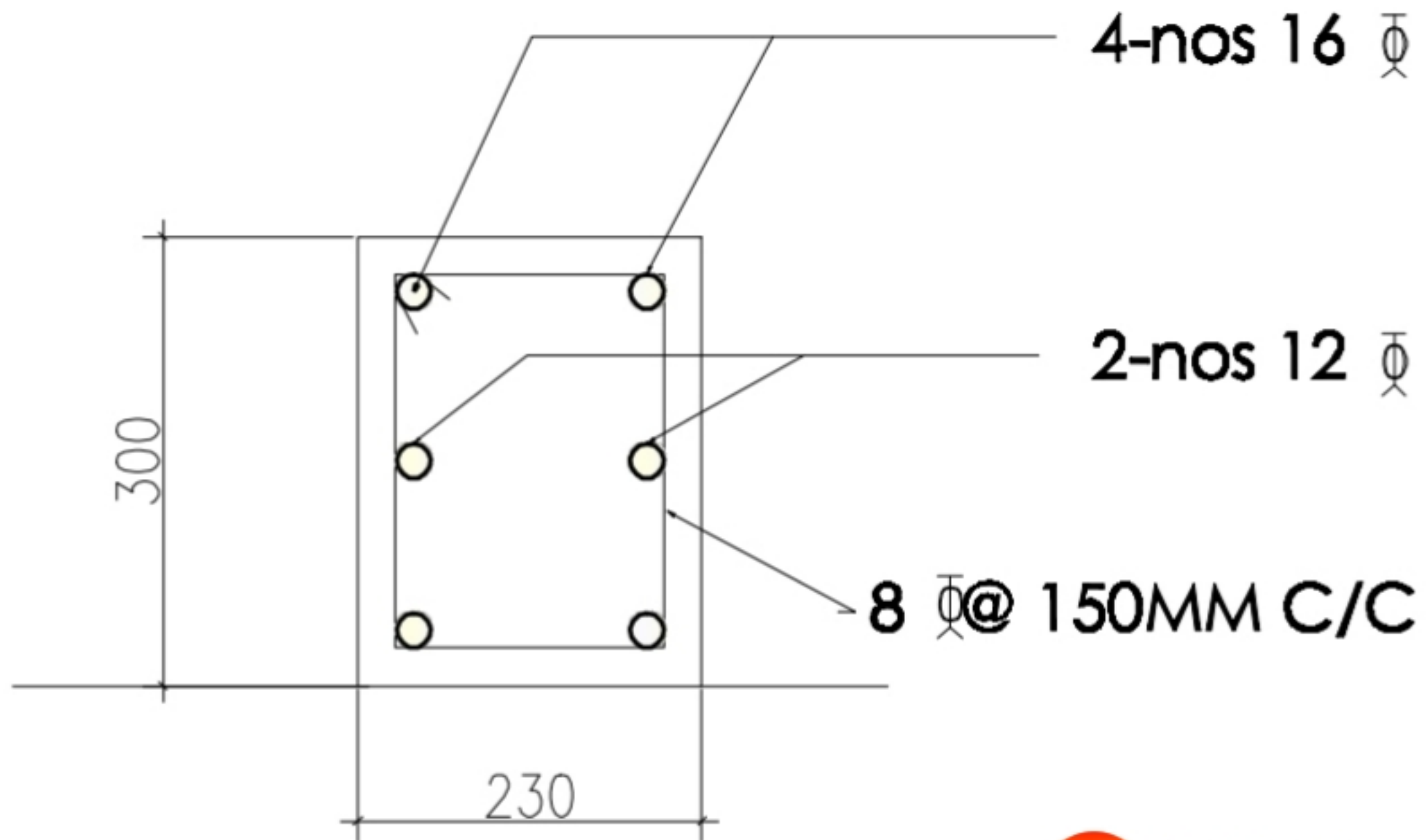
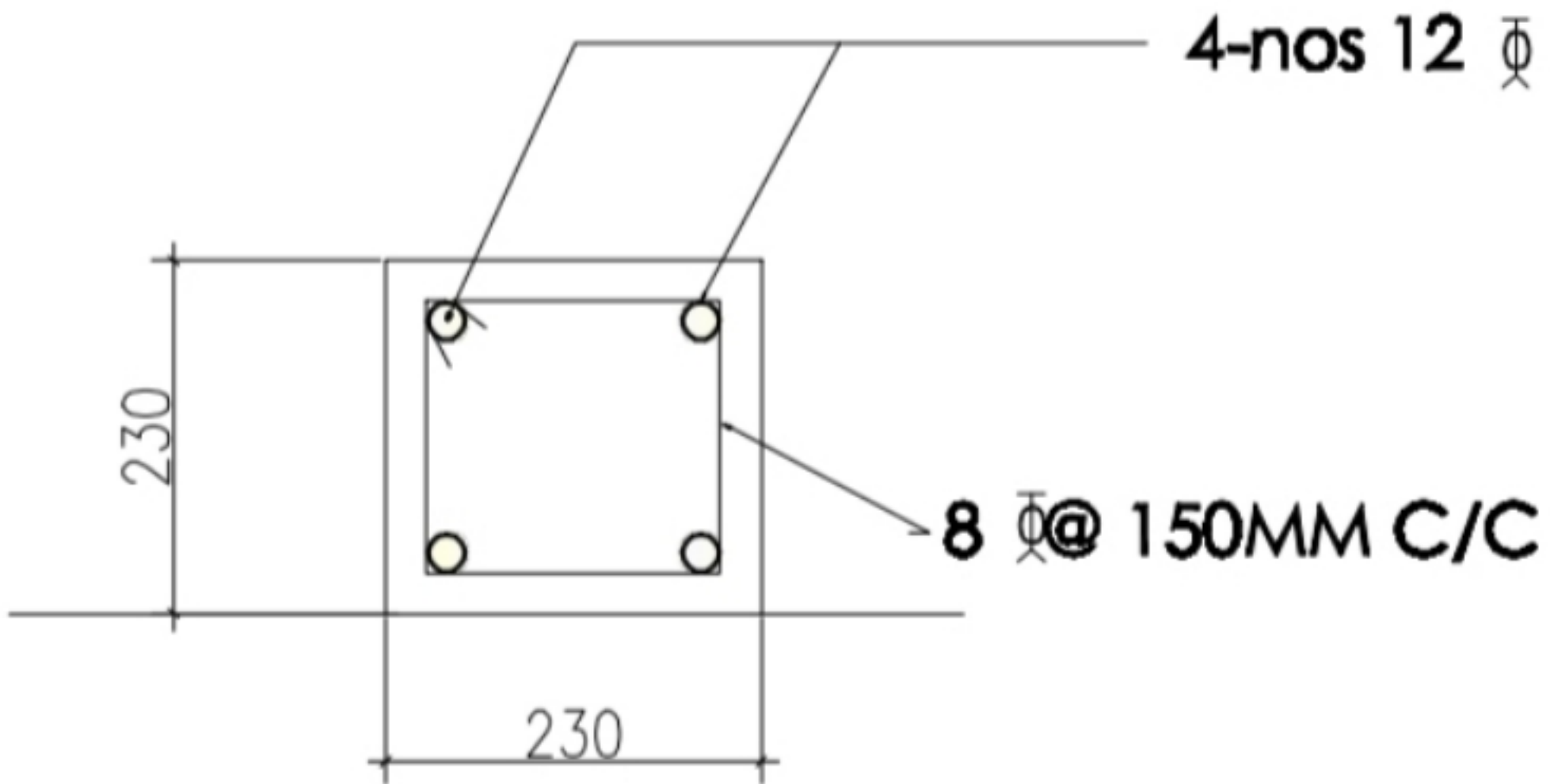


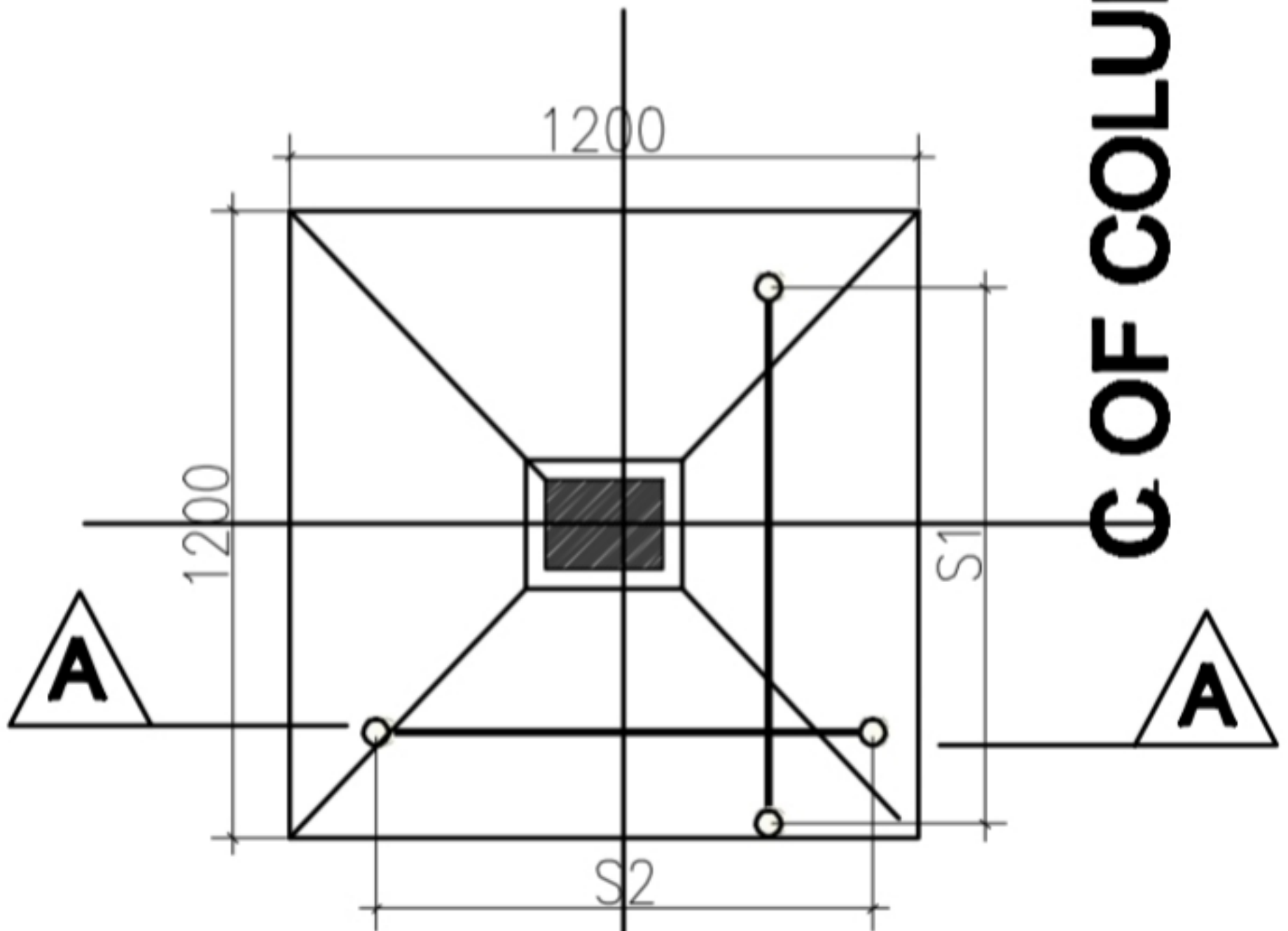
**COLUMN LAYOUT & FOOTING PLAN**



## TYP. SECTION DETAIL OF COLUMN 1



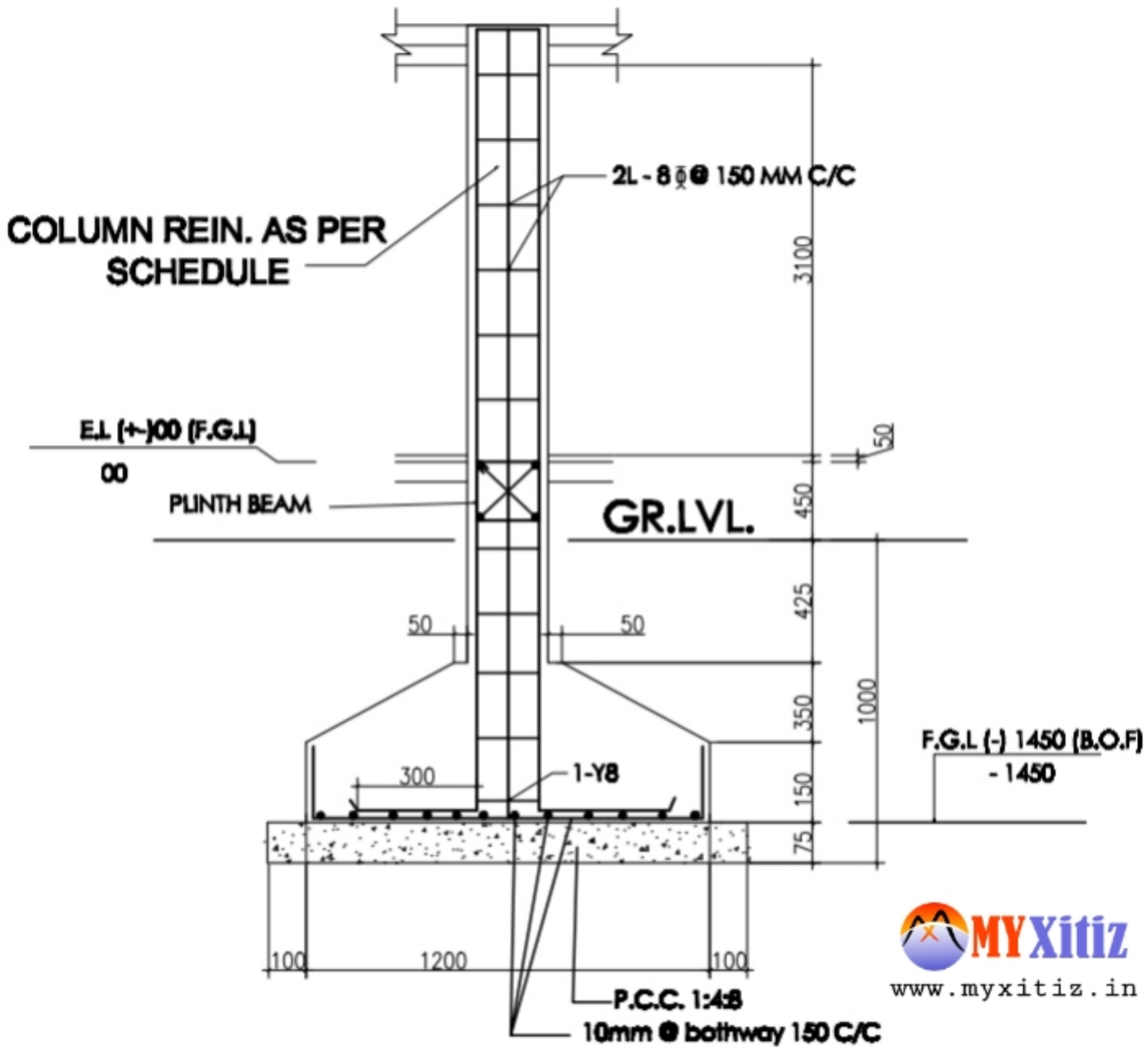
**TYP. SECTION DETAIL OF COLUMN 2**



**C OF COLUMN**

**C OF COLUMN**

**TYPICAL R.C PLAN OF ISOLATED FOOTING**



**SECTION AT AA**